

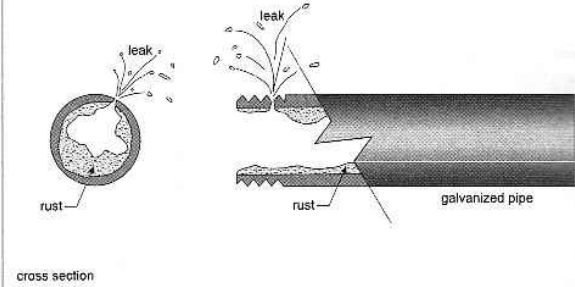
4140 12th Ave. So. Minneapolis, MN 55407

**ILLUSTRATION:**

**Galvanized steel pipe**

rusting of galvanized pipe can greatly reduce water pressure and will eventually cause leaks as rust creates holes in the pipe walls

problems are likely to occur soonest on pipes carrying hot water, horizontal pipes and at threaded (thinner) sections



**WASTE LINES:**

**MATERIAL:**

Cast Iron, Plastic.

**CONDITION:**

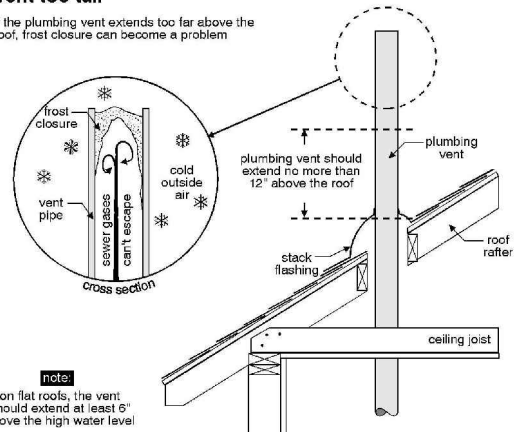
Appears serviceable, Vents terminated improperly. More than 12" protrusion, could freeze and block gases, repairs needed.



**ILLUSTRATION:**

**Vent too tall**

if the plumbing vent extends too far above the roof, frost closure can become a problem



**HOSE FAUCETS:**

**OPERATION:**

Missing backflow preventer, suggest adding to prevent any possible cross connection. DO NOT LEAVE HOSE CONNECTED TO FAUCET DURING COLD WEATHER THIS MAY CAUSE THEM TO FREEZE AND CAUSE DAMAGE.